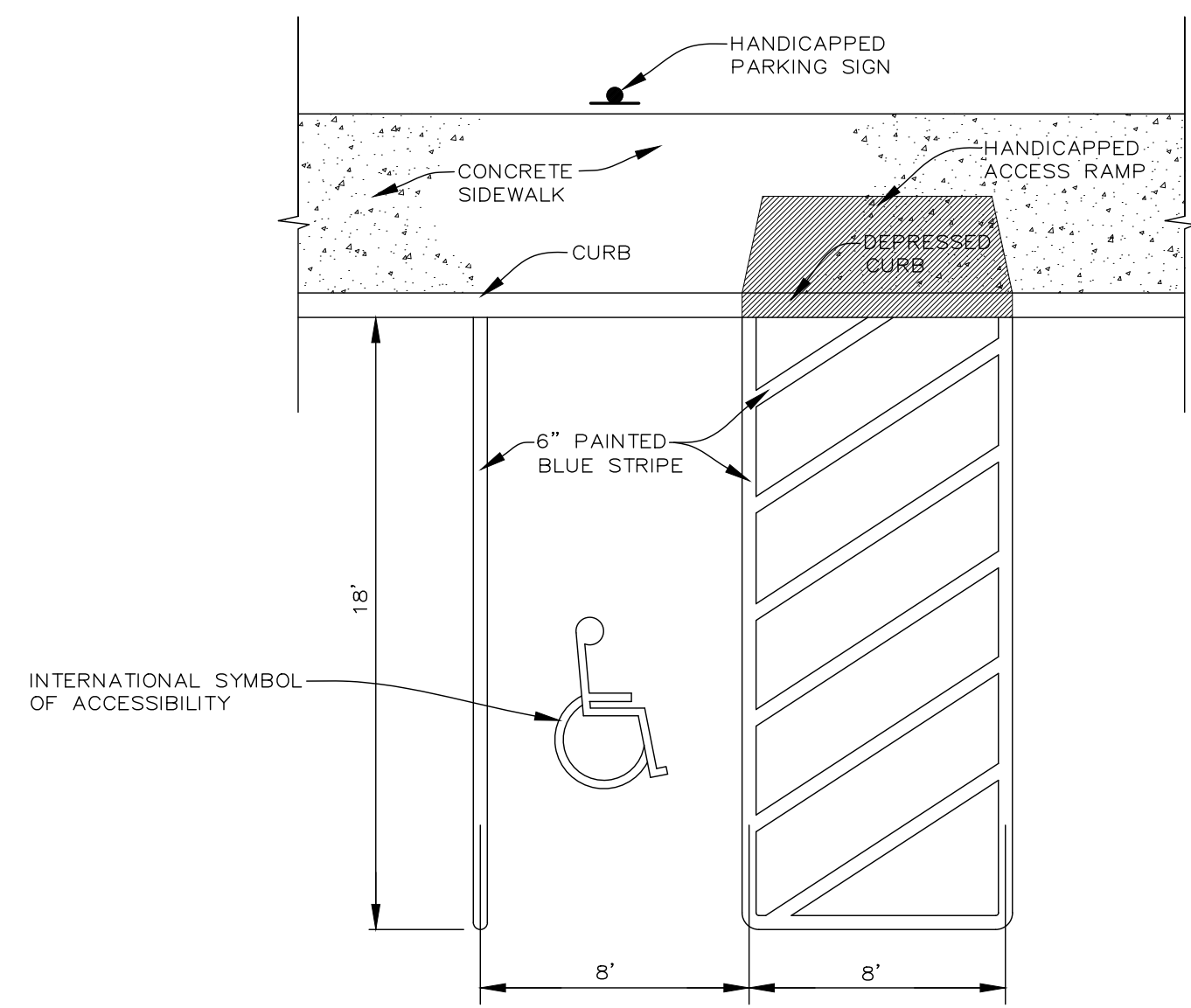
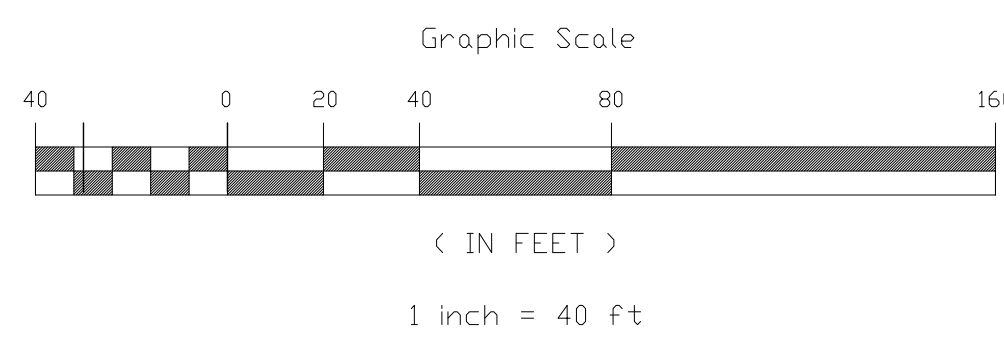


HANDICAPPED SIGNS
R7-8 & R7-8P
Not to Scale



VAN ACCESSIBLE PARKING STALL DETAIL
Not To Scale

- GENERAL NOTES:**
1. VAN ACCESSIBLE SIGNS SHALL BE INSTALLED WHERE APPLICABLE.
 2. INSTALL NEW HANDICAP SIGNS AT PROPOSED HANDICAP SPACES.



LSA
LEON S. AVAKIAN, INC.
Consulting Engineers
788 WAYSIDE ROAD
NEPTUNE, NEW JERSEY 07753
OFFICE: (732) 922-9229 FAX: (732) 922-0044

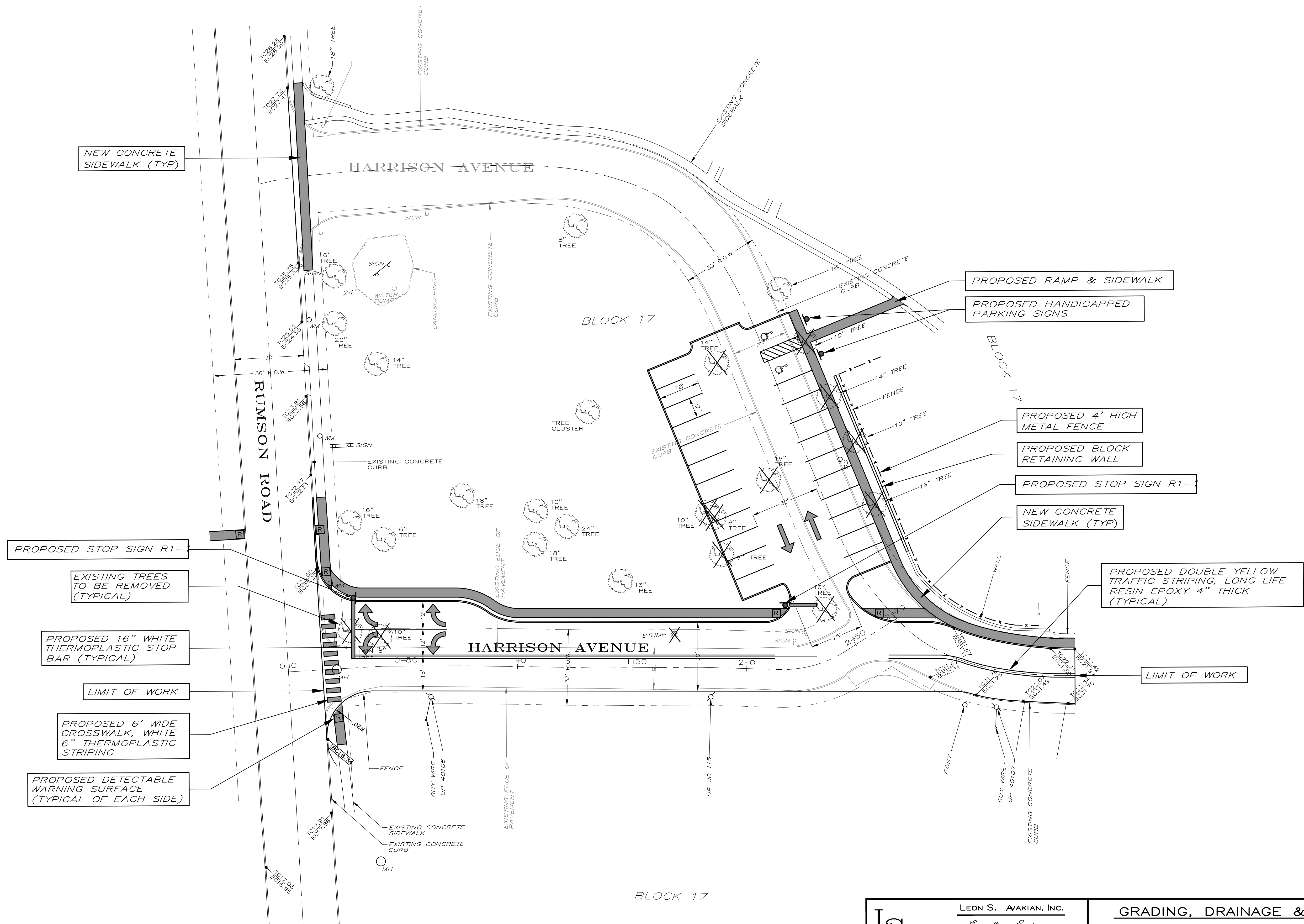
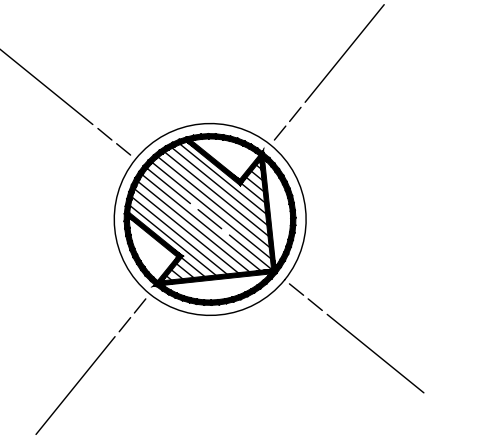
GREGORY S. BLASH, P.E.
PROFESSIONAL ENGINEER N.J. LIC. NO. 30926

GRADING, DRAINAGE & UTILITY PLAN

SICKLES PARK IMPROVEMENTS PHASE III

IN THE
BOROUGH OF LITTLE SILVER
MONMOUTH COUNTY, N.J.

SCALE	DATE	DRAWN BY	CHECKED	JOB NO.	SHEET
1" = 40'	July 21, 2022	L.P.C.	G.S.B.	LS 22-17	1 of 2



NEW CONCRETE SIDEWALK (TYP)

PROPOSED RAMP & SIDEWALK

PROPOSED HANDICAPPED PARKING SIGNS

PROPOSED 4' HIGH METAL FENCE

PROPOSED BLOCK RETAINING WALL

PROPOSED STOP SIGN R1-

NEW CONCRETE SIDEWALK (TYP)

PROPOSED STOP SIGN R1-

EXISTING TREES TO BE REMOVED (TYPICAL)

PROPOSED 16" WHITE THERMOPLASTIC STOP BAR (TYPICAL)

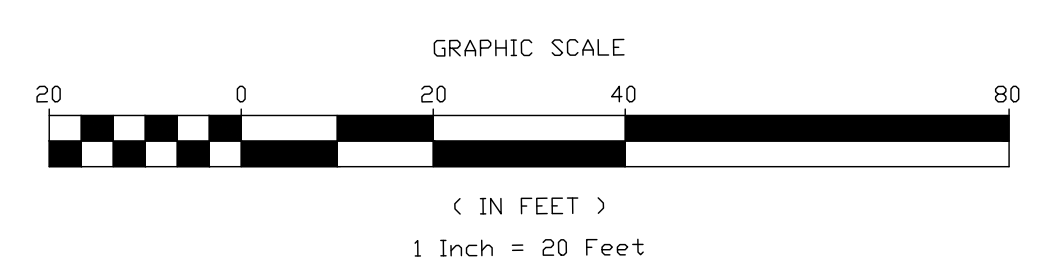
LIMIT OF WORK

PROPOSED 6' WIDE CROSSWALK, WHITE 6" THERMOPLASTIC STRIPING

PROPOSED DETECTABLE WARNING SURFACE (TYPICAL OF EACH SIDE)

PROPOSED DOUBLE YELLOW TRAFFIC STRIPING, LONG LIFE RESIN EPOXY 4" THICK (TYPICAL)

LIMIT OF WORK



LSA
LEON S. AVAKIAN, INC.
Consulting Engineers
 788 WAYSIDE ROAD
 NEPTUNE, NEW JERSEY 07753
 OFFICE: (732) 922-9229 FAX: (732) 922-0044

GREGORY S. BLASH, P.E.
 PROFESSIONAL ENGINEER N.J. LIC. NO. 30926

DATE

GRADING, DRAINAGE & UTILITY PLAN

SICKLES PARK IMPROVEMENTS PHASE III

IN THE
BOROUGH OF LITTLE SILVER
MONMOUTH COUNTY, N.J.

SCALE	DATE	DRAWN BY	CHECKED	JOB NO.	SHEET
1" = 20'	July 21, 2022	L.P.C.	G.S.B.	LS 22-17	2 of 2